

Remote motor for inside

245999

Black

EAN 5414425102464

General information

Motor integrated	•
With sound absorber	•
With isolated roof socket	-
With isolated roof socket and sound absorber	-
With automatic shutter (galvanized)	-
Isolator switch	-

Dimensions (mm) (more detailed info can be found on the website)

Dimensions (WxDxH) (mm)	309 x 280 x 244
Diameter outlet (mm)	150
Diameter inlet (tube)(mm)	-
Diameter inlet (opening roof)(mm)	-

Functions

Operation	in combination with hood
Number of speed	3 + power
Minimum / maximum operating temperature (°C)	-

Airflow and noise level

Maximum flow (m3/h)	1000
---------------------	------

Airflow (m3/h)/ preasure (Pa)(according to EN 61591)

- Speed 1	401/350
- Speed 2	503/370
- Speed 3	634/410
- Powerspeed / speed 4	760/450

Noise Level (dB(A) re 1 pW/ dB(A) re 20µPa) (according to EN 60704-2-13)

- Speed 1	42/30
- Speed 2	47/35
- Speed 3	53/40
- Powerspeed / speed 4	57/43

Noise level measured on the extract side Lwa5 (dB(A)(DIN 45635-2)

- Speed 1	-
- Speed 2	-
- Speed 3	-
- Powerspeed / speed 4	-

Technical specifications

Total power (W)	250
Position exhaust	top/ right/ left/ front/ back
Weight motorunit (kg)	6
Material roof fan	-
Material roof socket	-
Material automatic shutter	-

Accessories

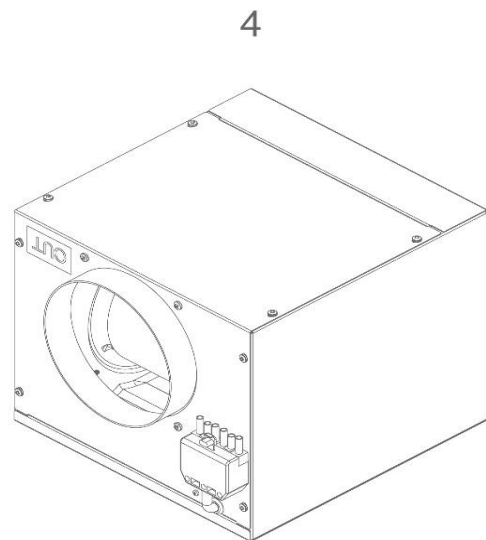
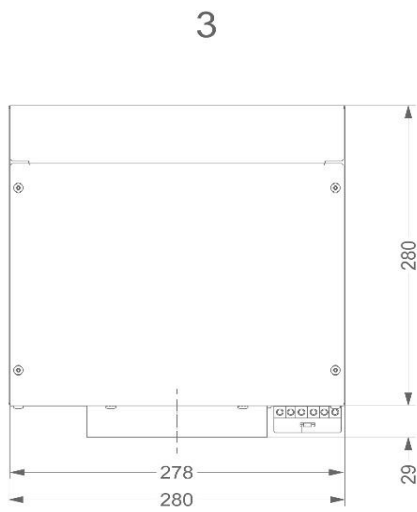
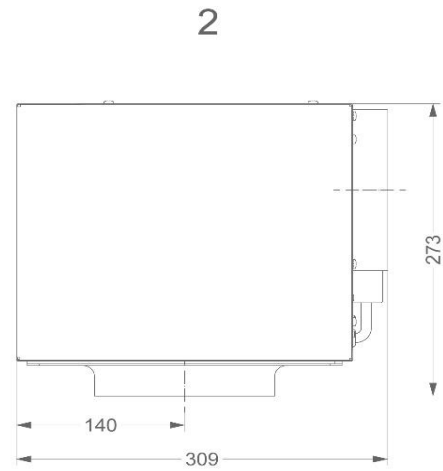
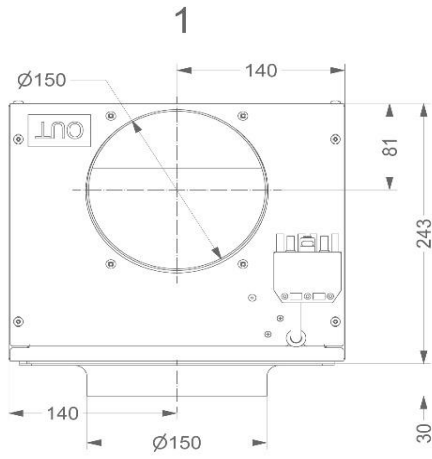
Extended cable for seperated motor (5m)	7000092
---	---------



Remote motor for inside

245999

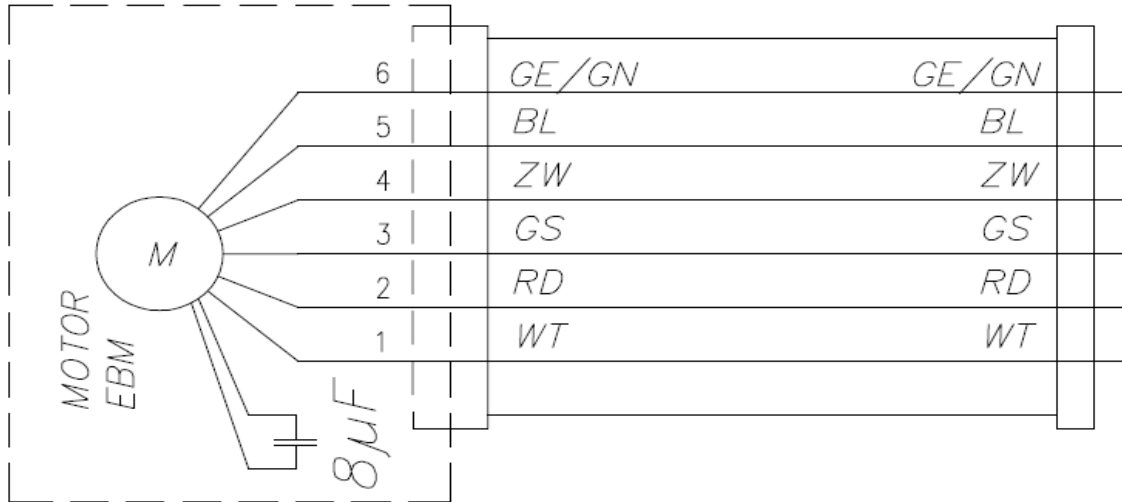
Black



Remote motor for inside

245999

Black



WT	wit	blanc	weiss	white
GE/GN	geel/groen	jaune/vert	gelb/grün	yellow/green
GS	grijs	gris	grau	grey
RD	rood	rouge	rot	red
BL	blauw	bleu	blau	blue
ZW	zwart	noir	schwarz	black
BR	bruin	brun	braun	brown
GE	geel	jaune	gelb	yellow